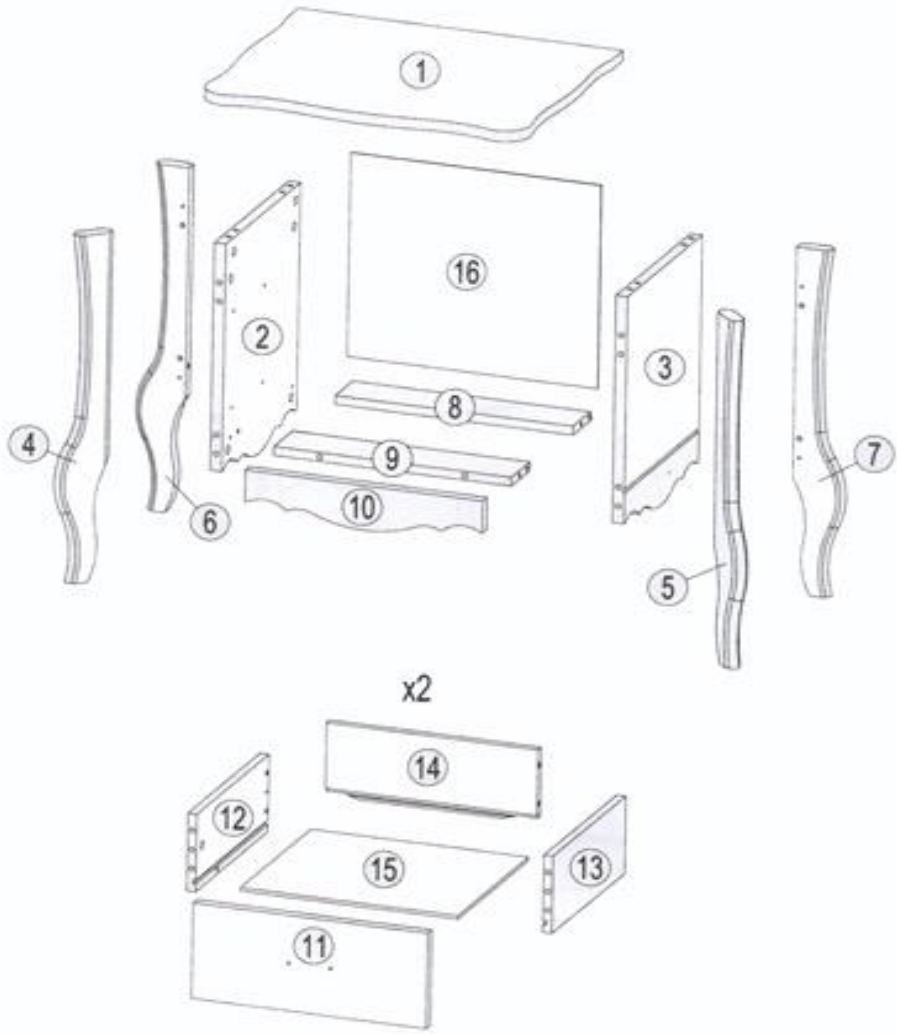
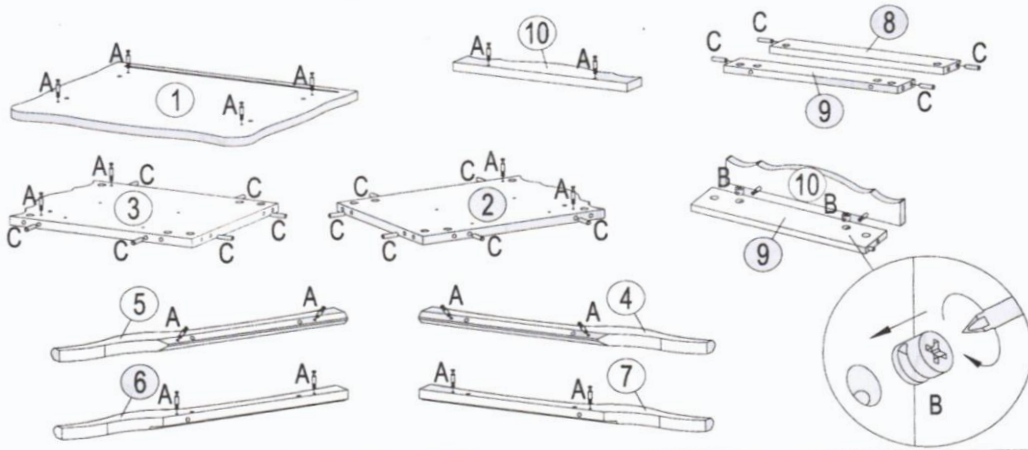


45 min

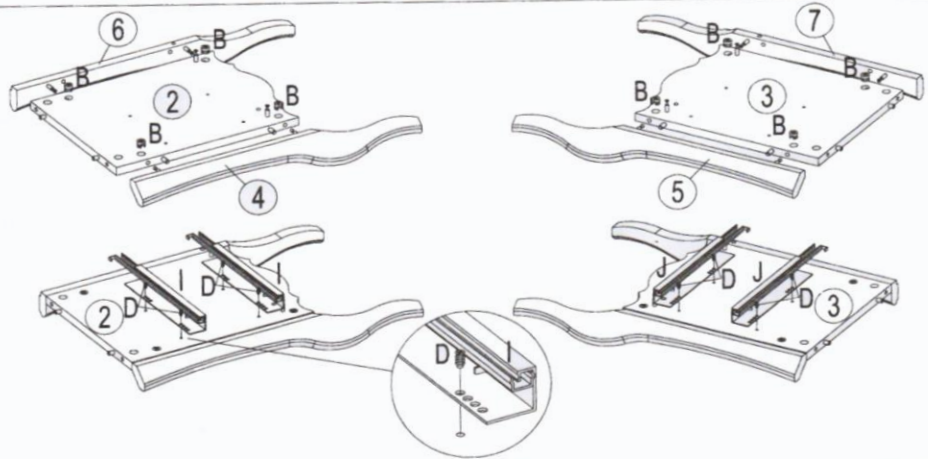
Ax22 	Bx22 	Cx32 	Dx8  6,1/7,8x13	Ex4  M4x22	Fx2 
Gx4  Ø1,5x35	Hx25  1,2x20	Ix2 	Jx2 		



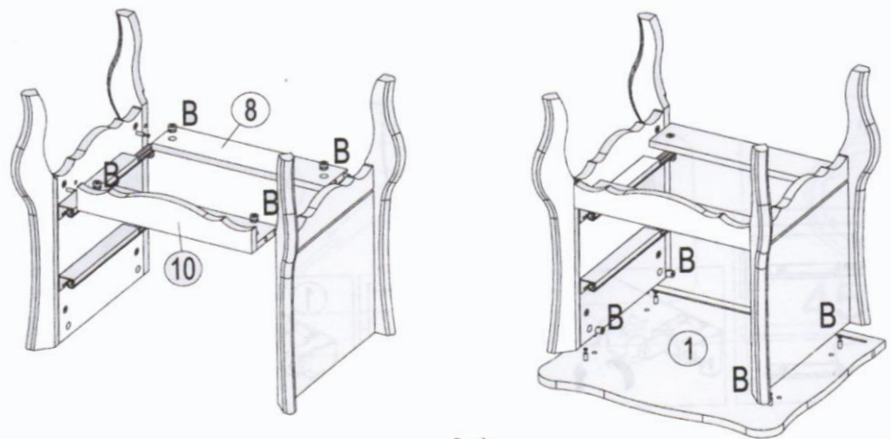
1



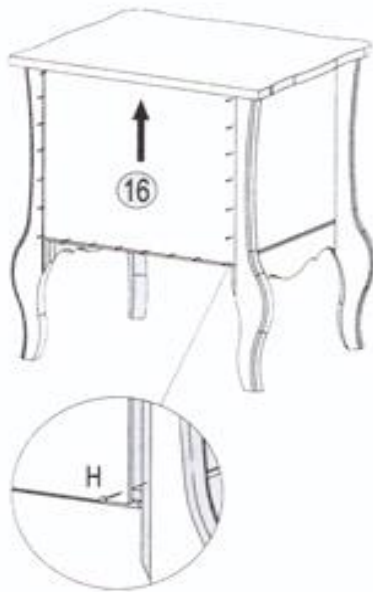
2



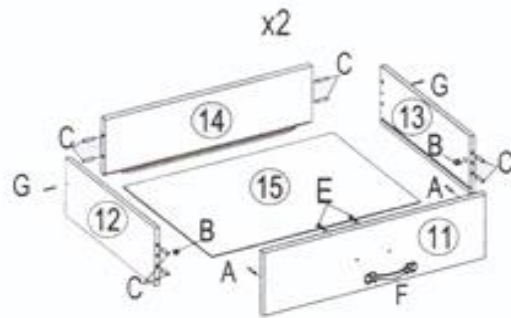
3



4



5



6

